

# NEW-TECH BENCH HOODS SPEC DRAWING BY-PASS OR VARIABLE AIR VOLUME

PH.(866)-631-8324 FAX (989)-631-8362 E-MAIL: sales@newtechtm.com

IMPORTANT FIELD NOTE: (  CHECK YOUR PREFERENCES )

HOOD SHIPPING SIZE: WIDTH + 1" LENGTH x 34 1/2" DEPTH x 62" HEIGHT

CHECK DOORWAYS, HALLS, ELEVATORS, CEILINGS, ETC., FOR CLEARANCE INTO AREA.

SIZE OF HOOD

- 48"       60"       72"       96"

TYPE OF HOOD

- BY-PASS (CONSTANT AIR FLOW)     VAV (VARIABLE AIR VOLUME)  
 MAGNEHELIC GAUGE REQUIRED

SASH

- STANDARD VERTICAL RISING (29" TRAVEL) 1/4" SAFETY GLASS  
 TYPE "A" (HORIZONTAL AND VERTICAL)  
 HORIZONTAL SLIDING

INTERIOR

- WHITE EPOXY COATED COMPOSITION STONE  
 STANDARD COMPOSITION STONE  
 OTHER \_\_\_\_\_

HOOD EXTERIOR COLOR : \_\_\_\_\_

REMOTE CONTROL PLUMBING ASSEMBLIES

- REQUIRED (PLEASE SEE SPEC DRAWING AND SPECIFY LOCATION)  
 EXTERNAL VACUUM BREAKERS REQUIRED (WATER)

PLUMBING FIXTURES INSTALLED BY **NEW-TECH**

- PRE-PLUMBED  
     LINES STUBBED OUT THE TOP (18" ABOVE HOOD)  
     LINES STUBBED OUT THE BOTTOM (18" BLOW HOOD)  
 SHIPPED LOOSE INSTALLATION BY OTHERS

INTERIOR PLUMBING FIXTURES (FINISH)

- STANDARD CHROME     EPOXY COATED     NYLON

ELECTRIC SERVICES (RECEPTACLES AND SWITCHES)

- REQUIRED (PLEASE SEE SPEC DRAWING AND SPECIFY LOCATION)  
 STANDARD CLASSIFICATION  
 PRE-WIRED BY **NEW-TECH** TO A COMMON JUNCTION BOX ON THE TOP OF THE FUME HOOD

LIGHTING (HOOD INTERIOR)

- STANDARD FLUORESCENT  
 OTHER \_\_\_\_\_  
 SPECIAL CLASSIFICATION \_\_\_\_\_

BASE CABINET FURNISHED BY **NEW-TECH**

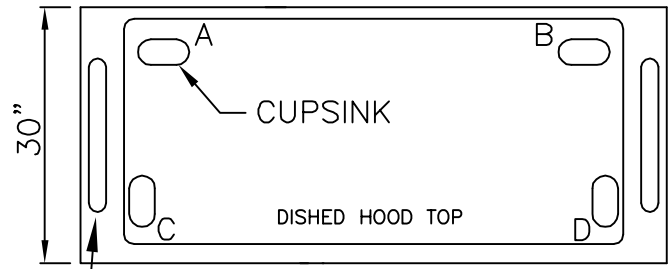
- METAL STORAGE CABINET (BAKED-ON EPOXY POWDER COAT)  
 FLAMMABLE CABINET (COMPLIES WITH OSHA, NFPA 30, UL LISTED)  
 ACID STORAGE (METAL) CABINET (ACID RESISTANT LINER)  
 WOOD STORAGE CABINET  
 NOT REQUIRED

DISHED HOOD TOP

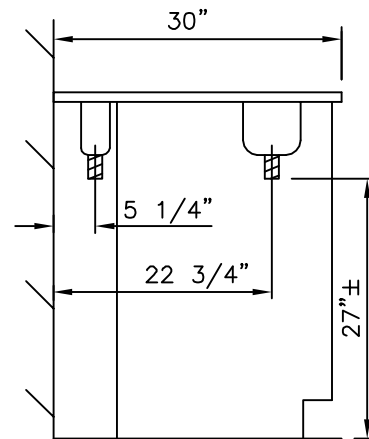
- REQUIRED  
 1" THICK BLACK DISHED EPOXY RESIN  
 OTHER \_\_\_\_\_

CUPSINK LOCATION (STD. 3X6 CUPSINK)

- NOT REQUIRED  
 STANDARD (A, LEFT, REAR)  
 OTHER (B, C, D) \_\_\_\_\_  
 LARGE SINK SIZE AND LOCATION \_\_\_\_\_



TOP VIEW



SIDE VIEW

CEILING ENCLOSURE PANELS

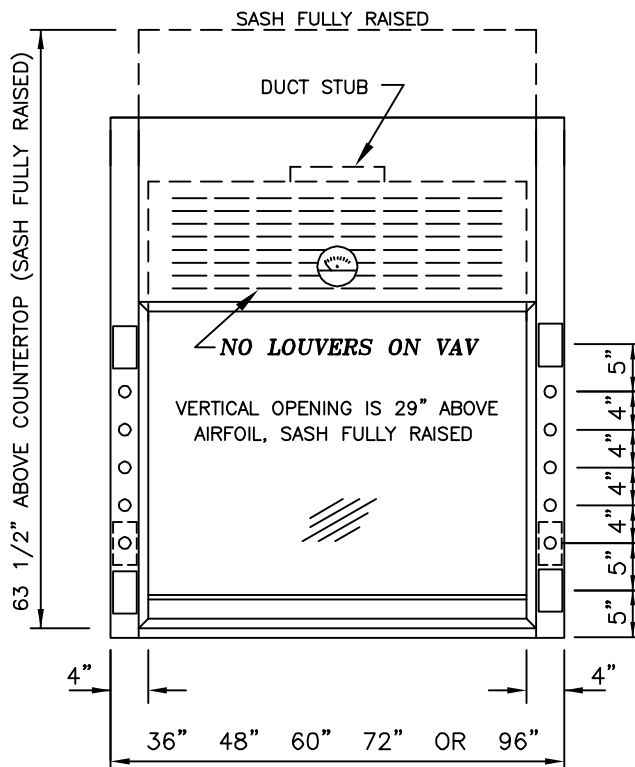
- NOT REQUIRED  
 CEILING ENCLOSURE REQUIRED (1" ABOVE DROP CEILING)  
SPECIFY FINISHED DROP CEILING HEIGHT \_\_\_\_\_

FUME HOOD BLOWER FURNISHED BY **NEW-TECH**

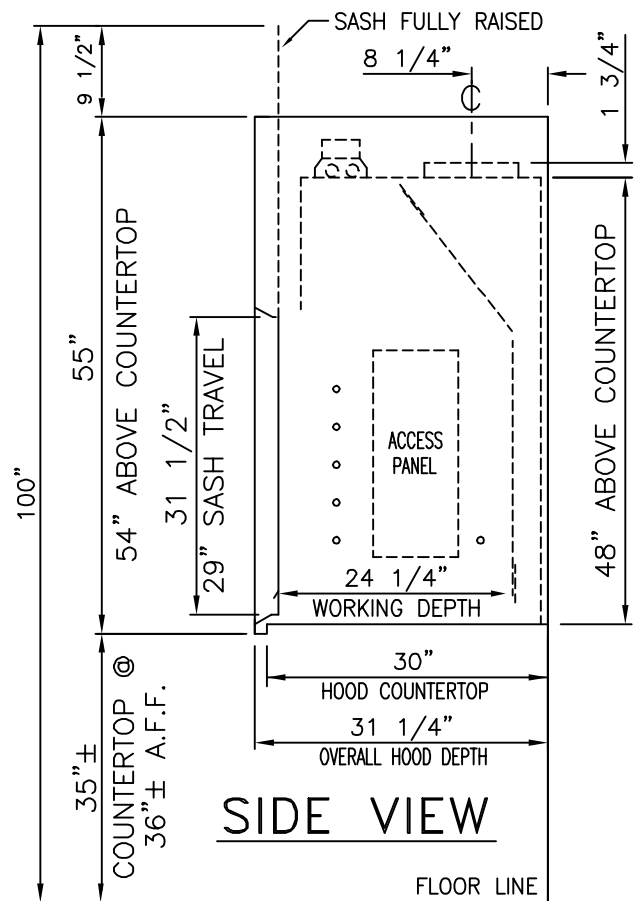
- NOT REQUIRED  
 NEW YORK BLOWER UTILITY FAN (PLEASE SEE SPEC DRAWING)

# NEW-TECH BENCH HOODS SPEC DRAWING BY-PASS OR VARIABLE AIR VOLUME

PH.(866)-631-8324 FAX (989)-631-8362 E-MAIL: sales@newtechtm.com

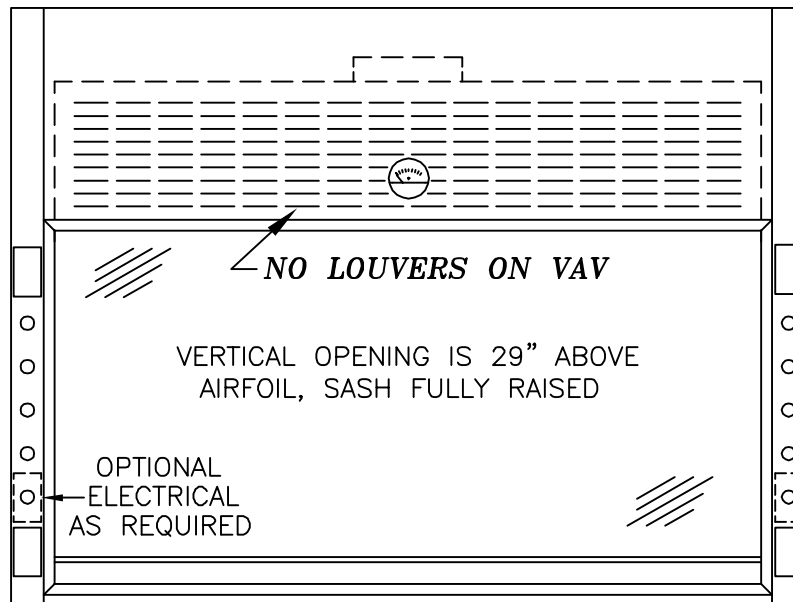


**FRONT VIEW**



**SIDE VIEW**

HOOD SIZE	DUCT STUB SIZE	DUCT STUB LOCATION (CENTERLINE)	CFM AT 100 FPM AT			
			CFM @ 18" S.P.	CFM @ 30" S.P.	CFM @ 18" S.P.	CFM @ 30" S.P.
<input type="checkbox"/> 36"	ONE 10" DIA.	CENTERED	351	.14	585	.25
<input type="checkbox"/> 48"	ONE 10" DIA.	CENTERED	501	.16	835	.30
<input type="checkbox"/> 60"	ONE 12" DIA.	CENTERED	651	.17	1085	.35
<input type="checkbox"/> 72"	ONE 12" DIA.	CENTERED	801	.20	1335	.42
<input type="checkbox"/> 96"	TWO 10" DIA.	26" LEFT & RIGHT	1101	.18	1835	.40



PLEASE SPECIFY SERVICES DESIRED

LIGHT SWITCH (TYP.)

\_\_\_\_\_  
\_\_\_\_\_  
\_\_\_\_\_  
\_\_\_\_\_

120ACV GFCI (TYP.)

PLEASE SPECIFY SERVICES DESIRED

\_\_\_\_\_  
\_\_\_\_\_  
\_\_\_\_\_  
\_\_\_\_\_

120ACV GFCI (TYP.)